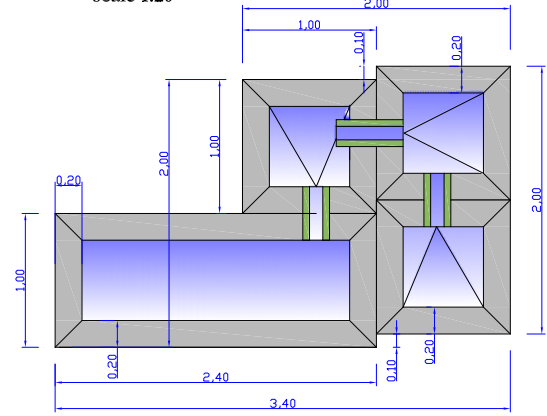
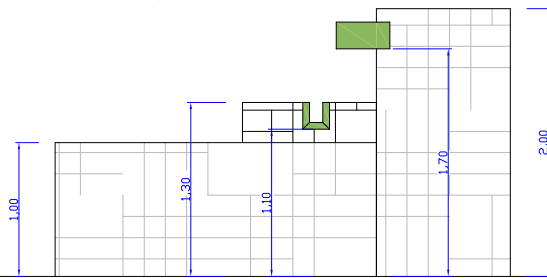


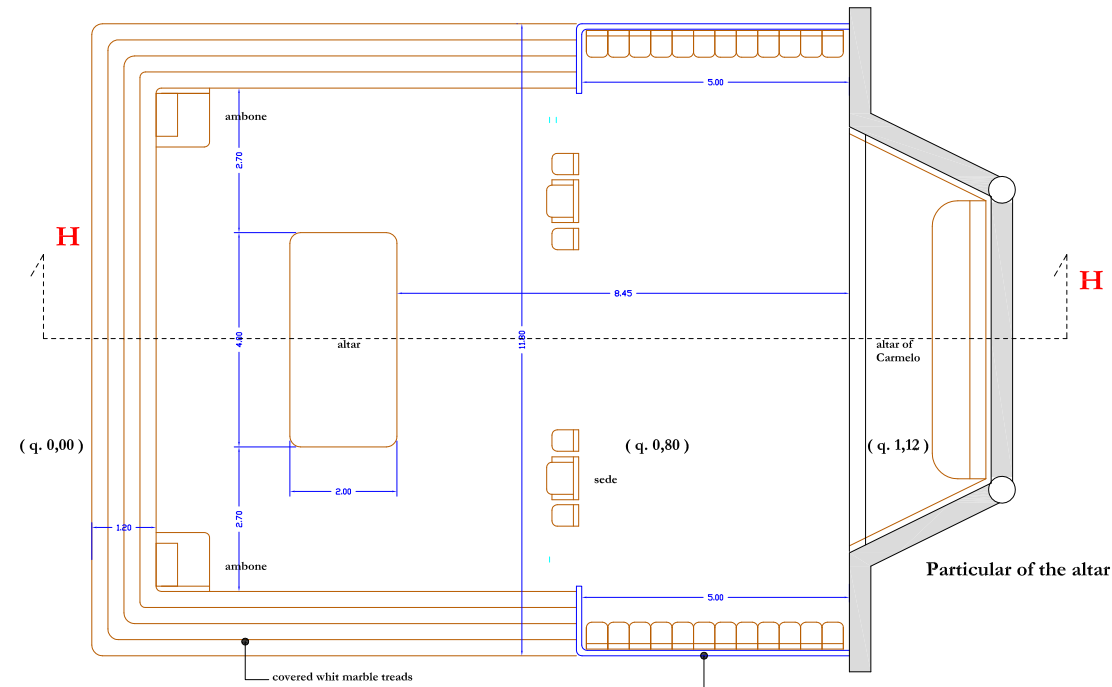
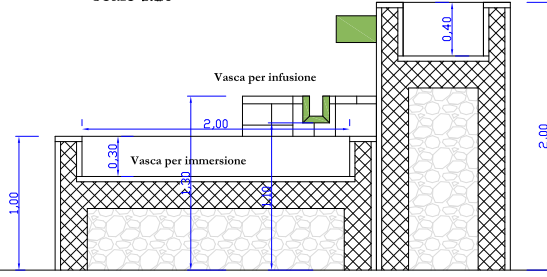
Particular of baptismal font - plan - scale 1:20



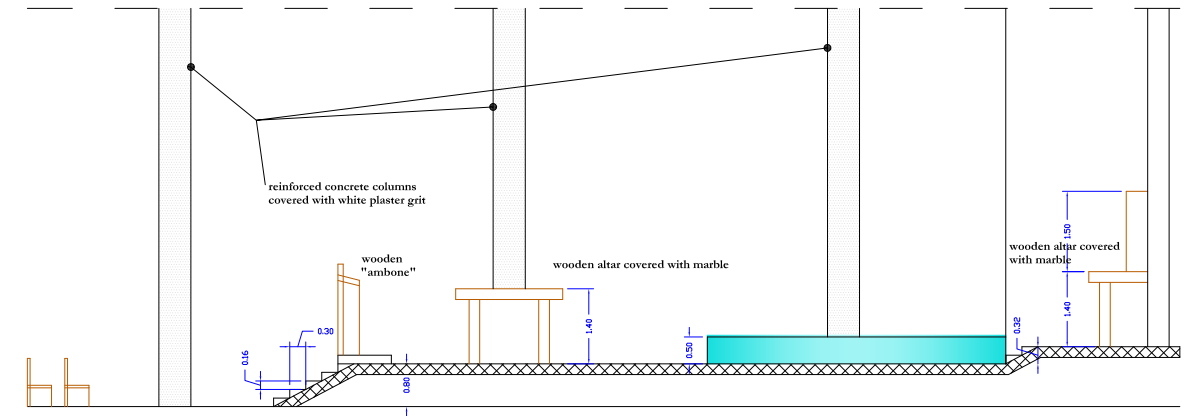
Particular of baptismal font - view - scale 1:20



Particular of baptismal font - section - scale 1:20



Particular of the altar - plan - scale 1:50



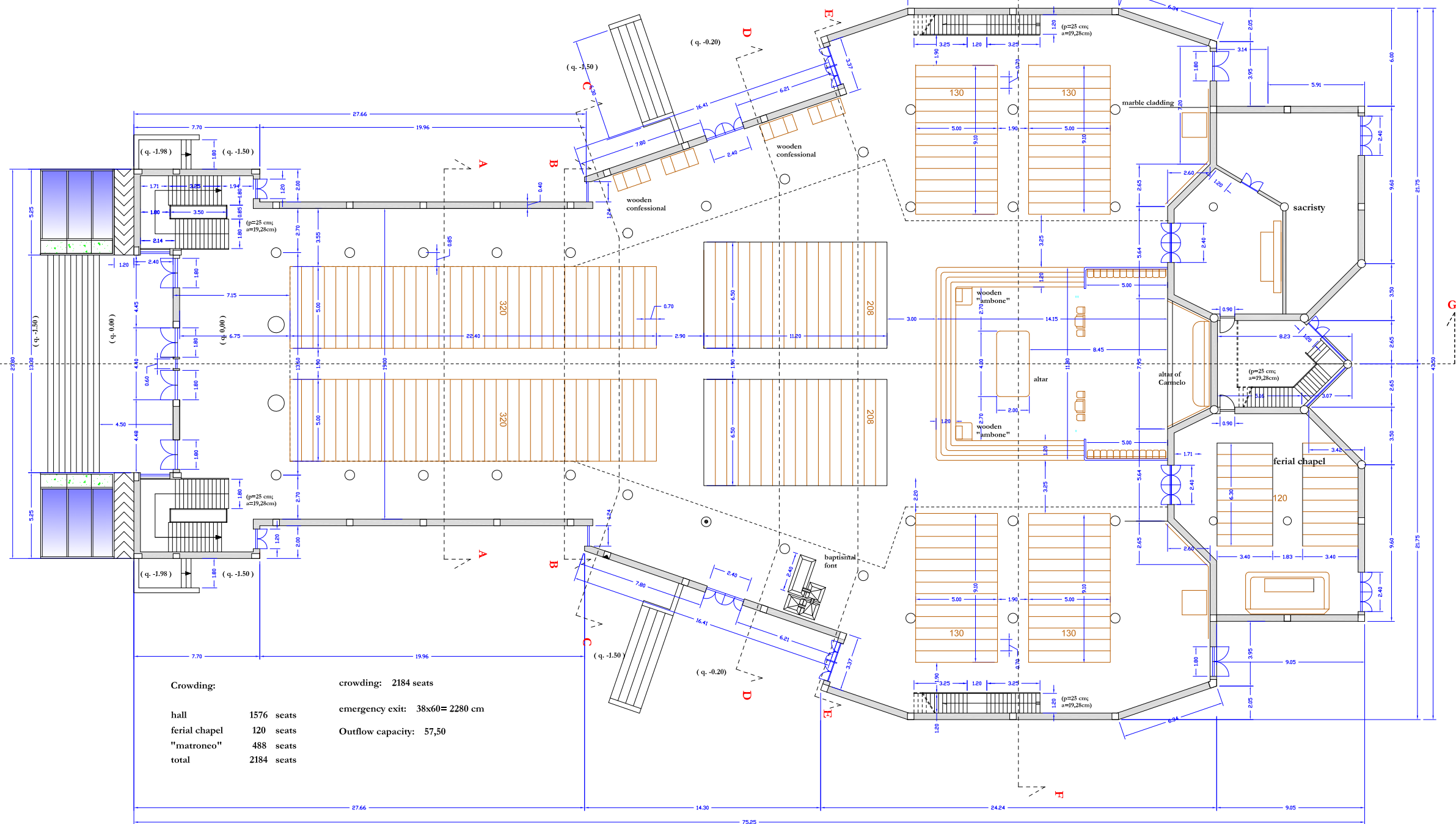
Particular of the altar - H-H section - scale 1:50

Design of the church
"BIKIRA MARIA WA MLIMA KARMELI"
 Bunju Area, Kinondoni, Dar Es Salaam
 Tanzania



TAV. A3 Ground level plan
 scale 1:100 - June 2012

TEAM
 Architectural design and team coordinator:
 Prof. Arch. Flavia Fascia
 Ordine Architetti Napoli Italy - n. 2535
 Structural design:
 Prof. Ingg.
 Renato Iovino - Ordine Ingegneri Napoli Italy - n. 4383
 Angelo Spizuoco - Ordine Ingegneri Napoli Italy - n. 6853
 Local consultant:
 Architect Thomas Kalugula - Nosuto Associates
 Architects & Project Management Consultants
 PPF HOUSE - 8th Floor - Samora Avenue/Morogoro Road Junction
 P.O. Box 891, Dar es Salaam, Tanzania



| | | |
|------------------|------------------|--------------------------------|
| Crowding: | crowding: | 2184 seats |
| hall | 1576 seats | emergency exit: 38x60= 2280 cm |
| ferial chapel | 120 seats | Outflow capacity: 57,50 |
| "matroneo" | 488 seats | |
| total | 2184 seats | |